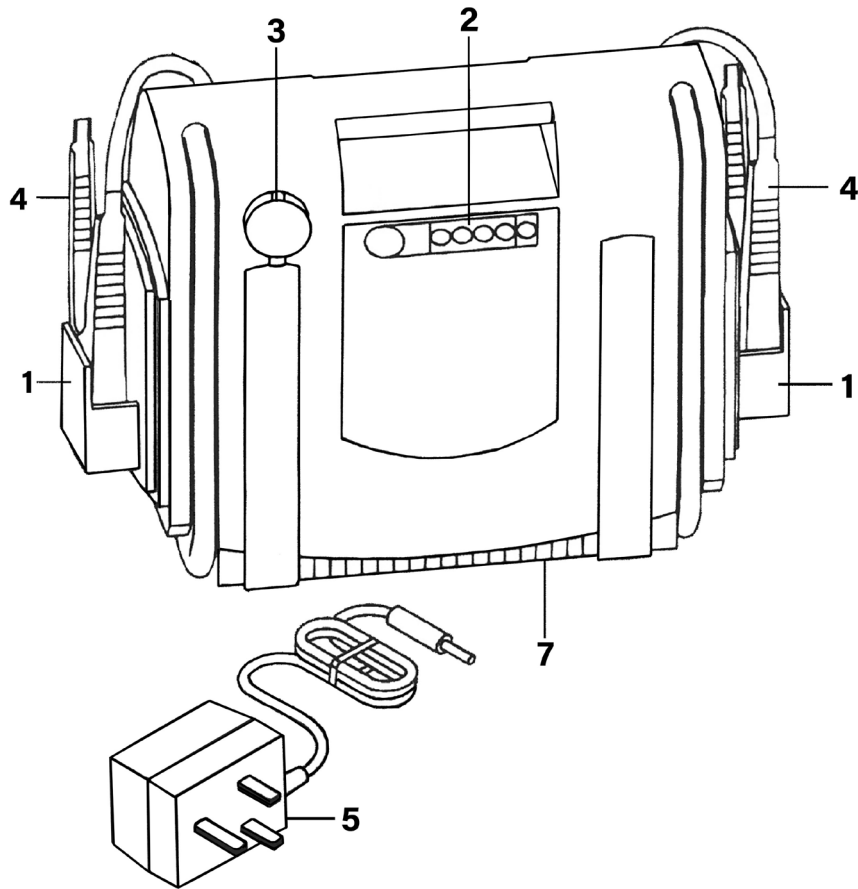




Parts Information:  
**RoadStart® Emergency Jump Starter 12V**  
**1000 Peak Amps**  
**Model No: RS1.V5**



Item	Part No.	Description
1	RS1/1	Safety Storage Holster
2	RS1.V4-02	Power Indicator Assembly
3	RS1/3	12v Charger Socket
4	RS1/4	Heavy Duty Clamps (Pair)
5	RS10AUA	Universal Adaptor 1.0A 15V
7	RS1.V5-C	Casing, Complete (Front And Back)

Item	Part No.	Description
--	RS1/B	Battery, 12v, 18ah (Lead Acid)(H:170 W:180 B:75) (Not Shown)
--	RS08AEU	Roadstart Euro 2-Pin Adaptor 0.8a (Not Shown)
--	RS1/6	Power Extension Cord (In Car Charger) (Not Shown)

**NOTE:** It is our policy to continually improve products and as such we reserve the right to alter data, specifications and component parts without prior notice. There may be alternative versions of this product, please contact us should you require this information.

**IMPORTANT:** No liability is accepted for incorrect use of product. Spare parts must be fitted by a competent person

**WARRANTY:** Guarantee is 12 months from purchase date, proof of which will be required for any claim.

**Sealey Group**, Kempson Way, Suffolk Business Park, Bury St Edmunds, Suffolk. IP32 7AR



01284 757500



sales@sealey.co.uk



www.sealey.co.uk